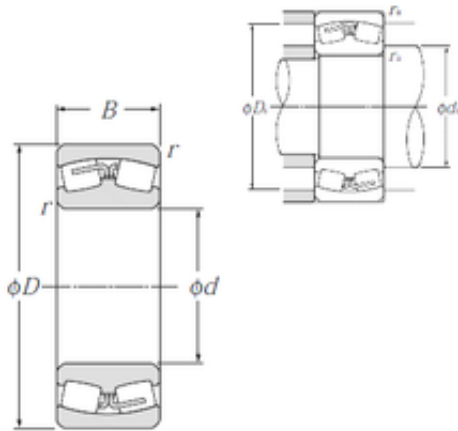




NTN DRIVESHAFT,INC.

1400 mm x 1 820 mm x 315 mm NTN 239/1400 Spherical Roller Bearings

Bearing No. 239/1400



239/1400 Bearing 2D drawings and 3D CAD models

Size	1400x1820x315 mm
Bore Diameter	1400 mm
Outer Diameter	1820 mm
Width	315 mm
d	1400 mm
D	1 820 mm
B	315 mm
C	315 mm
r min.	9,5 mm
da min.	1 444 mm
Da max.	1 776 mm
ra max.	8 mm
Weight	2 230 Kg
Basic dynamic load rating (C)	15 100 kN
Basic static load rating (C0)	43 000 kN
(Grease) Lubrication Speed	100 r/min
(Oil) Lubrication Speed	130 r/min
Calculation factor (e)	0,15
Calculation factor (Y0)	4,29
Calculation factor (Y1)	4,39