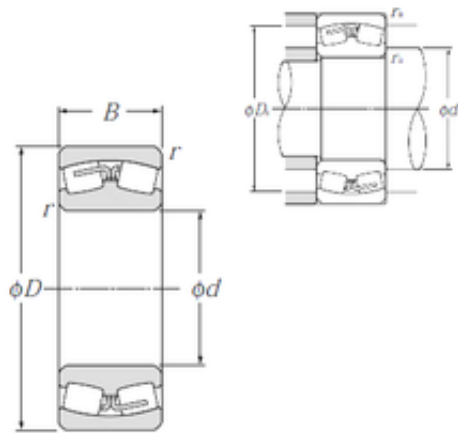




NTN DRIVESHAFT,INC.

800 mm x 1 060 mm x 195 mm NTN 239/800 Spherical Roller Bearings



Bearing No. 239/800

| | |
|-------------------------------|-----------------|
| Size | 800x1060x195 mm |
| Bore Diameter | 800 mm |
| Outer Diameter | 1060 mm |
| Width | 195 mm |
| d | 800 mm |
| D | 1 060 mm |
| B | 195 mm |
| C | 195 mm |
| r min. | 6 mm |
| da min. | 828 mm |
| Da max. | 1 032 mm |
| ra max. | 5 mm |
| Weight | 487 Kg |
| Basic dynamic load rating (C) | 5 400 kN |
| Basic static load rating (C0) | 13 700 kN |
| (Grease) Lubrication Speed | 240 r/min |
| (Oil) Lubrication Speed | 310 r/min |
| Calculation factor (e) | 0,17 |
| Calculation factor (Y0) | 3,96 |
| Calculation factor (Y1) | 4,05 |

239/800 Bearing 2D drawings and 3D CAD models