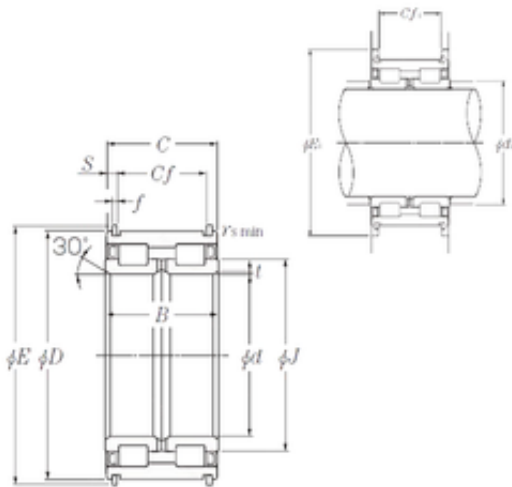




NTN DRIVESHAFT,INC.

280 mm x 420 mm x 190 mm NTN SL04-5056NR SL Type Cylindrical Roller Bearings for Sheaves

Bearing No. SL04-5056NR



SL04-5056NR Bearing 2D drawings and 3D CAD models

Size	280x420x190 mm
Bore Diameter	280 mm
Outer Diameter	420 mm
Width	190 mm
d	280 mm
D	420 mm
B	190 mm
C	189 mm
E1	465 mm
t	3 mm
f	7 mm
r min.	1,5 mm
E	437 mm
J	325 mm
S	17,5 mm
da	290 mm
Cf	154 mm
Cf1	154 mm
Weight	96,2 Kg
Basic dynamic load rating (C)	2 170 kN
Basic static load rating (C0)	4 700 kN