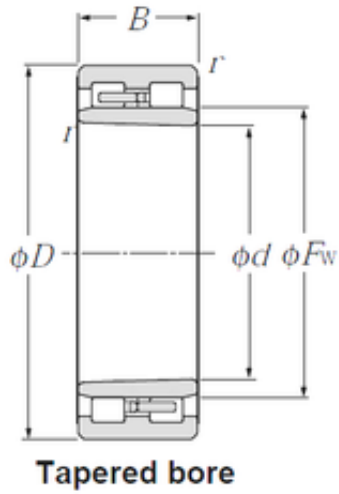




NTN DRIVESHAFT,INC.



150 mm x 210 mm x 60 mm NTN NNU4930K Multi-Row Cylindrical Roller Bearings

Bearing No. NNU4930K

Size	150x210x60 mm
Bore Diameter	150 mm
Outer Diameter	210 mm
Width	60 mm
d	150 mm
Fw	168,5 mm
D	210 mm
B	60 mm
C	60 mm
r min.	2 mm
Weight	5,9 Kg
Basic dynamic load rating (C)	345 kN
Basic static load rating (C0)	690 kN
(Grease) Lubrication Speed	2 800 r/min

NTN4930K Bearing 2D drawings and 3D CAD models